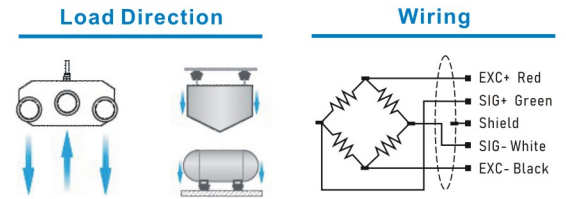


# Delta Transducers

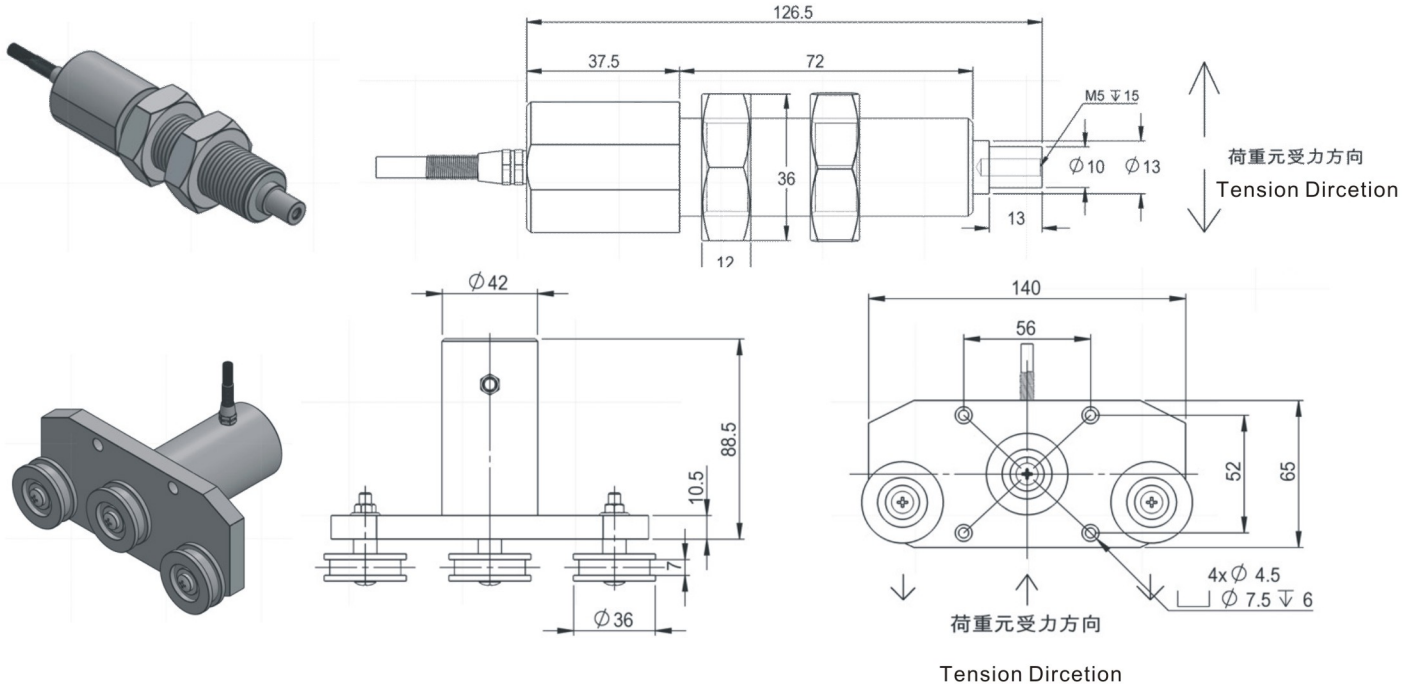
## Features & Application

It is widely used in electronics, chemical industry, textile, papermaking, machinery and other fields. It has high measurement accuracy, reliability and stability in the field of tension measurement.



## Mounting Dimension

### Model : ARITN



## Technical Parameters

Specifications	Technique
Capacity	10、 20、 50、 100、 200、 500、 1000 N
Rated Output	2.0±10% $mV/V$
Zero Balance	±1% F.S.
Non-linearity	0.1% F.S.
Hysteresis	0.1% F.S.
Non-repeatability	0.1% F.S.
Creep (30min)	0.1% F.S.
Temp. Shift Zero	0.05% F.S. / 10°C
Temp. Shift Span	0.05% F.S. / 10°C
Input,Output Impedance	350Ω
Insulation Resistance	>5000MΩ / 100VDC
Operating Temp.	-20~80°C
Range Excitation	5~15V
Safe Overload	150%
Ultimate Overload	200%
Material	Alloy Steel or 17-4PH
Cable	Ø5 X 3m
Option: Built-in Analog Output	RS485,0~5V,0~10V,4~20mA Total Accuracy:0.05%