

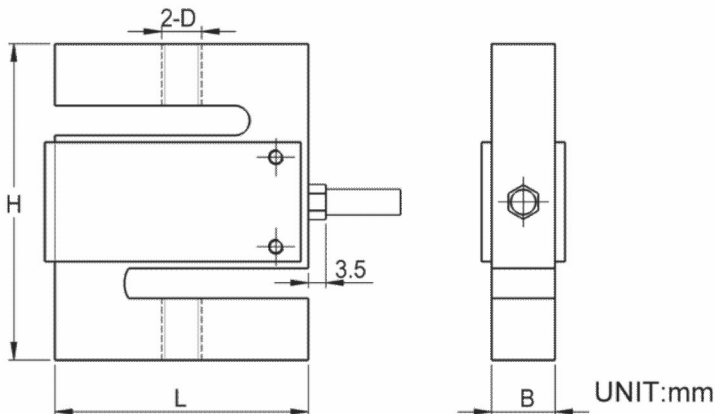
## Model : SBLF



## Features & Application

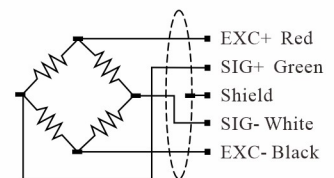
Tension and compression load cell with metal foil strain gauge technology and over load protection, made of stainless steel. Mainly used for pull and push dynamometer, hopper scale and industrial measuring systems.

## Mounting Dimension

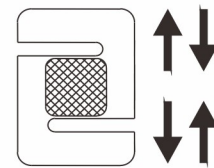


量程 (kg)	D	L	H	B
100~750	M12	51	76.2	19.1
1000	M12	51	76.2	25.4
1200~5000	M20X1.5	76.2	100.4	31.8

## Wiring



## Load Direction



## Technical Parameters

Specifications	Technique
Rated load	50,100,150,200,250,300,500,750kg 1,1.5,2,3,5,7.5t
Total error	±0.03%F.S.
Non-linearity	±0.05%
Rated output	2.0±0.003mV/V (SBLS) 3.0±0.003mV/V (SBLF)
Creep error(30min.)	±0.05% F.S.
Zero balance	±1.0% F.S.
Input resistance	400±20Ω
Output resistance	352±3Ω
Insulation resistance	≥5000MΩ / 100VDC
Material	Alloy steel
Temp. effect on span	±0.05% F.S. / 10°C
Temp. effect on zero	±0.05% F.S. / 10°C
Compensated temp. range	-10~+40°C
Use temp range	-30~+70°C
Excitation voltage	5~15V
Safe overload	150% F.S.
Ultimate overload	200% F.S.
Protection class	IP65(50kg~1t),IP68(1.5t~7.5t)
Cable	Ø5,3m