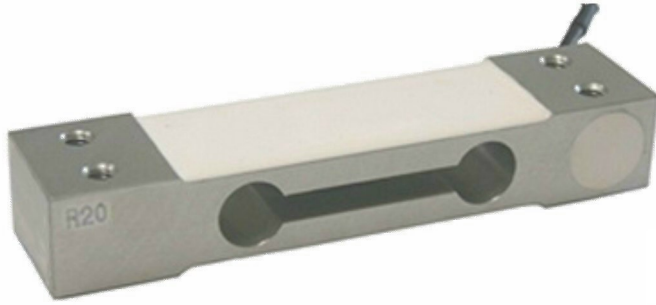


Delta Transducers

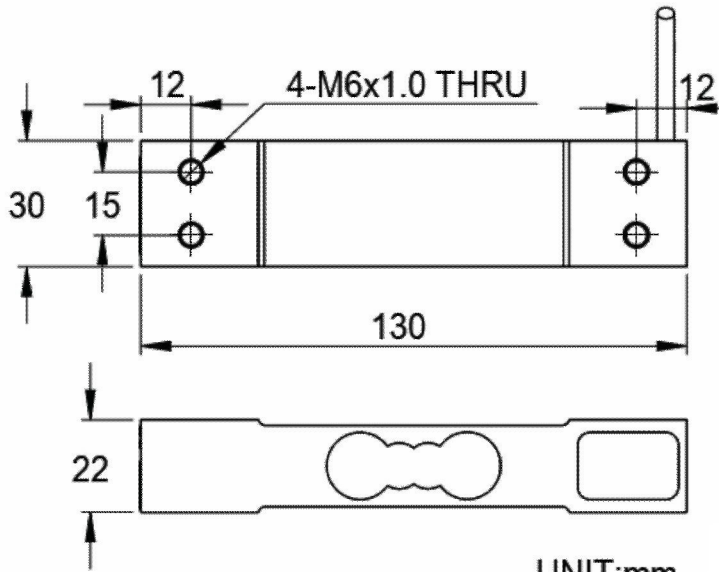
Model : ARI1



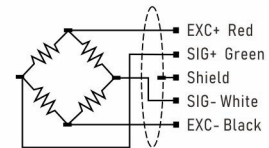
Features & Application

Pricing Scale、 Counting Scale、
Weighing Scale、 Platform Scale

Mounting Dimension



Wiring



量程Capacity:3 / 6 / 10 / 20 / 30 / 50 kg

Technical Parameters

Specifications	Technique
Rated load	3、 6、 10、 20、 30、 50 kg
Rated Output	2.0 mV/V \pm 10%
Zero balance	\pm 0.0200mV/V
Non-linearity	0.017%R.O.
Hysteresis	0.017%R.O.
Repeatability	0.017%R.O.
Creep (30mins)	0.017%R.O.
Input impedance	410 \pm 15 Ω
Output impedance	350 \pm 5 Ω
Insulation resistance	\geq 5000M Ω / 50VDC
Temp.effect on output	0.0015%R.O./ $^{\circ}$ C
Temp.effect on zero	0.002%R.O./ $^{\circ}$ C
Operating temp. range	-20~60 $^{\circ}$ C
Recommended Excitation	5~12VDC
Safe overload	150%F.S.
Ultimate overload	200%F.S.
Cable	ϕ 4x0.5m