

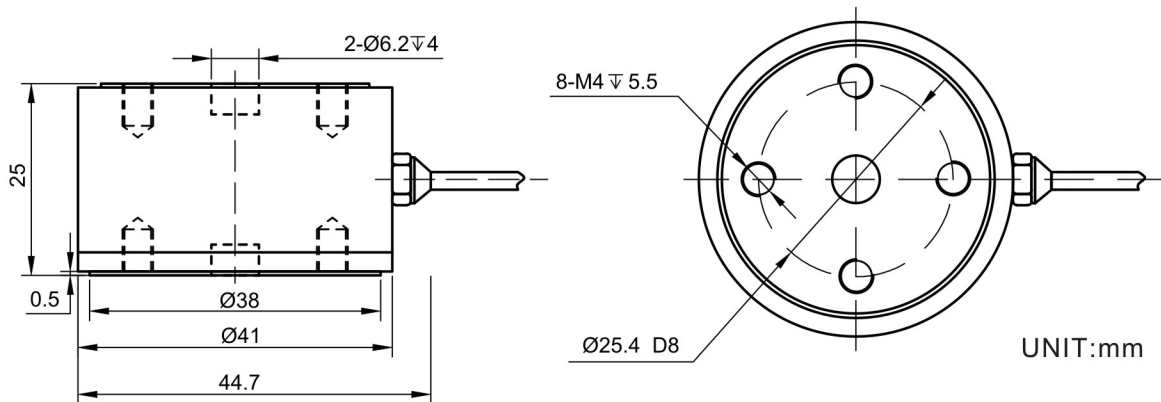
Model : ARI673



Features & Application

Is mainly used in automobile manufacturing, medical equipment, robots, automation equipment, etc. Feel is testing for example: buttons, hot and cold press pressure detection, machine hand holding power, etc.

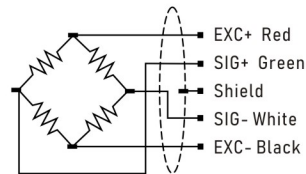
Mounting Dimension



Load Direction



Wiring



Technical Parameters

Specifications	Technique
Rated load	50,100,200,500 N 1,2,3,5,10,20 KN
Comprehensive error	≤±0.05%
Non-linearity	0.05%
Rated output	1.0 / 2.0±10% <i>mV/V</i>
Creep	±0.1% <i>F.S.</i> / 30min.
Zero balance	±2.0% <i>F.S.</i>
Input resistance	385±5Ω
Output resistance	350±3Ω
Insulation resistance	≥5000MΩ / 100VDC
Temp.effect on span	±0.05% <i>F.S.</i> / 10°C
Temp.effect on zero	±0.05% <i>F.S.</i> / 10°C
Compensated temp range	-10~60°C
Use temp range	-20~80°C
Excitasion voltage	5~15V
Safe overload	150% <i>F.S.</i>
Ultimate overload	300% <i>F.S.</i>
Defend grade	IP66